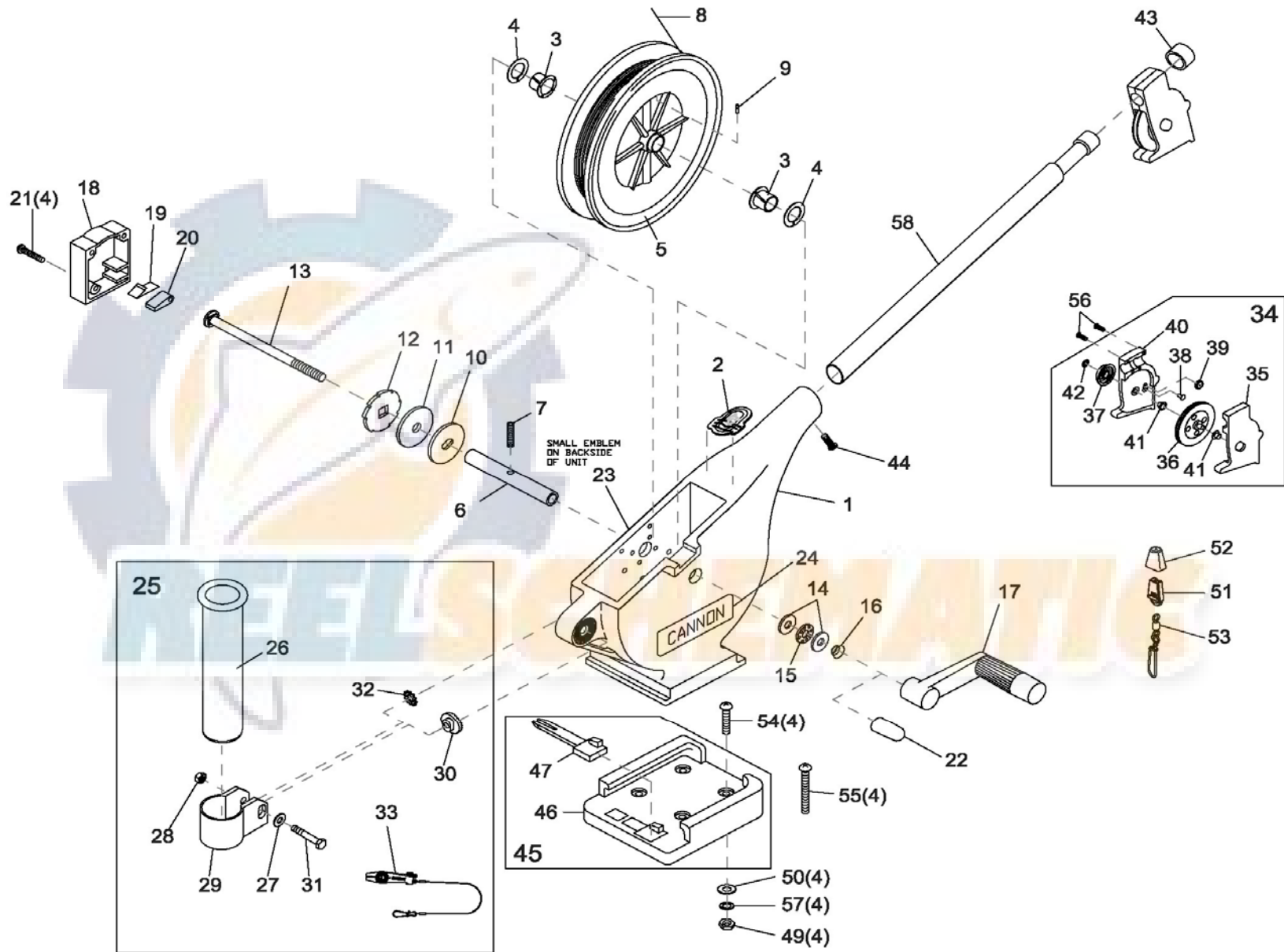




LAKE-TROLL™

for use with "AI" serial numbers



In the U.S.A., replacement parts may be ordered directly from CANNON Parts Dept., 121 Power Drive, Mankato, Minnesota 56001. In Canada, parts may be ordered from any of the Canadian Authorized Service Centers shown on the enclosed list. Be sure to provide the MODEL and SERIAL numbers of your downrigger when ordering parts. Please use the correct part numbers from the parts list. Payment for any parts ordered from the CANNON parts department, may be by cash, personal check, Discover Card, MasterCard or VISA. To order, call 1-800-227-6433 or FAX 1-800-527-4464.

1	3330001	FRAME - LAKE-TROLL (LEXAN)	30	3325002	>DISK - ROD HOLDER
2	3395617	DECAL - NOSE, LAKE-TROLL	31	9040310	>BOLT - HEX 5/16"-18 x 2"
3	9010001	BEARING - REEL SHAFT [2.EA]	32	9430160	>WASHER - STAR 5/16"
4	9430003	WASHER - 5/8" NYLON ROUND [2.EA]	33	2277002	>UNIVERSAL LINE RELEASE
5	0274731	REEL - ROUGH 3.75" (LEXAN)	34	0444001	SWIVEL HEAD ASSEMBLY W/ COUNTER
6	1080001	SHAFT - REEL	35	0267001	▶SIDE PLATE (RH)
7	3393412	SCREW - SET 5/16"-18 x 1" (REEL)	36	0269726	▶PULLY - SWIVEL HEAD
8	3775392	SPOOL CABLE SS [150.FT]	37	0325002	▶COUNTER - SWIVEL HEAD
9	9100070	CABLE LEADER SLEEVE	38	0333001	▶GEAR - INTERMEDIATE, SWIVEL HEAD
10	0467695	BRAKE PLATE - REEL	39	0333002	▶GEAR - REDUCTION, SWIVEL HEAD
11	1264670	CLUTCH PAD	40	0367004	▶SIDE PLATE (LH), W/ COUNTER
12	0467694	BRAKE PLATE - RATCHET	41	9010070	▶HDW BEARING BRASS[2.EA]
13	1000904	SHAFT - RATCHET	42	9100690	▶CLAMP - RING, PUSH ON
14	9010310	WASHER - THRUST [2.EA]	43	3316001	CAP - BOOM END
15	9010280	BEARING - THRUST	44	9370002	SCREW - #8-32 SELF TAPPING
16	9400040	SPRING - HAND CRANK	45	2998901	TAB LOCK MOUNTING BASE
17	0422004	CRANK HANDLE, LAKE-TROLL	46	3307003	BASE - TAB LOCK, NO TAB (LEXAN)
18	1021480	CLUTCH COVER	47	3391001	LOCKING TAB
19	9400070	SPRING - DOG RATCHET	48	2994894	*BAG ASSEMBLY, MOUNTING (KIT #4)
20	9100160	DOG - RATCHET	49	2263102	NUT - HEX 1/4"-20 [4.EA]
21	9370220	SCREW - #10 x 1-1/4" FH TYPE A [4.EA]	50	2371712	WASHER - 9/32" FLAT [4.EA]
22	9100721	RED THREAD CAP	51	9100100	TERMINATOR
23	3395631	DECAL - CANNON SMALL (BLACK)	52	9100101	TERMINATOR CUSHION
24	3395630	DECAL - CANNON LARGE (BLACK)	53	9100620	TERMINATOR SNAP & SWIVEL
25	2477001	BAG ASSY - SINGLE ROD HOLDER KIT	54	9280713	BOLT - TRUSS 1/4" - 20 x 1-1/2" [4.EA]
26	0290796	>TUBE - ROD HOLDER	55	9280725	BOLT - TRUSS 1/4" - 20 x 2-1/2" [4.EA]
27	2151726	>WASHER - 5/16" FLAT	56	9370010	SCREW - #4 x 1/2" PPH [3.EA]
28	2383106	>NUT - 5/16"-18 SS	57	9950357	WASHER - LOCK 1/4" SPLIT [4.EA]
29	3319005	>CLAMP - ROD HOLDER w/ SLOT	58	3310008	16" BOOM - COPOLYMER

> PART OF ASSEMBLY

▶ ITEM CANNOT BE SOLD SEPARATELY

* PARTS USED BUT NOT SHOWN